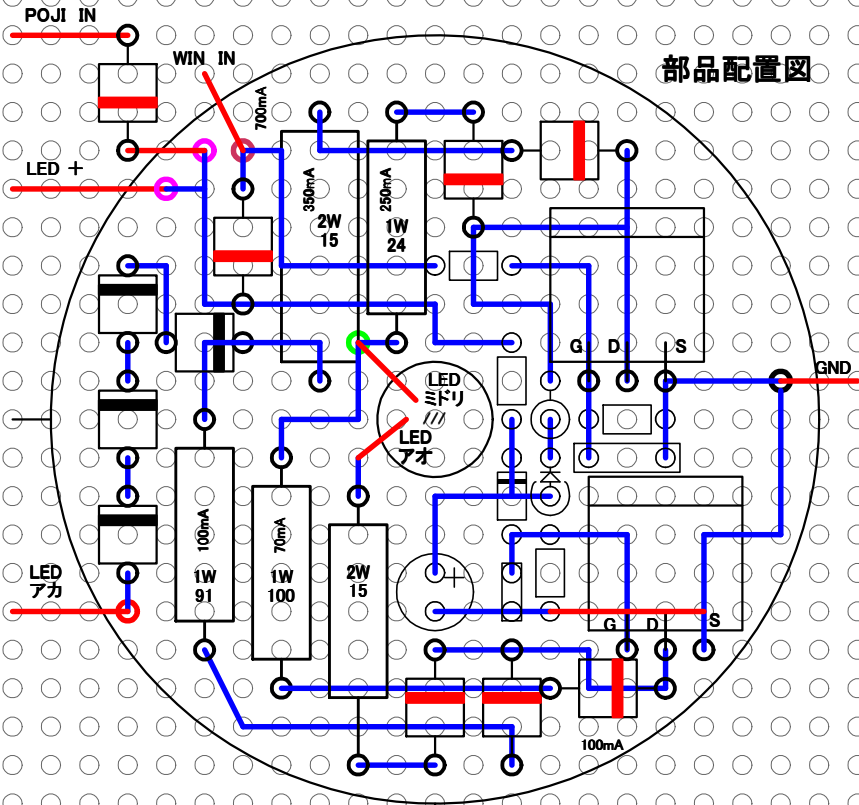
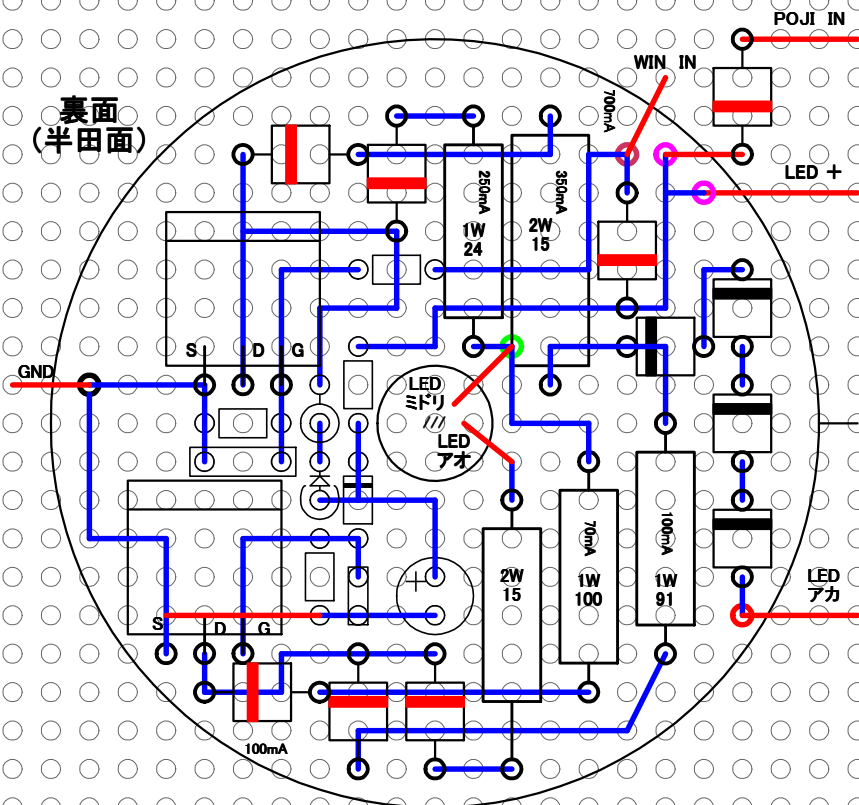


部品配置図



裏面  
(半田面)



		FILE NAME			
SCALE		/		MATERIALS	
UNITS		m/m		TITEL	
ANGLE				DWG.DATE	
CONTENTS		DATE		DWAING No.	